

# Sandblasting Nozzles and Nibs

Argensinter standard

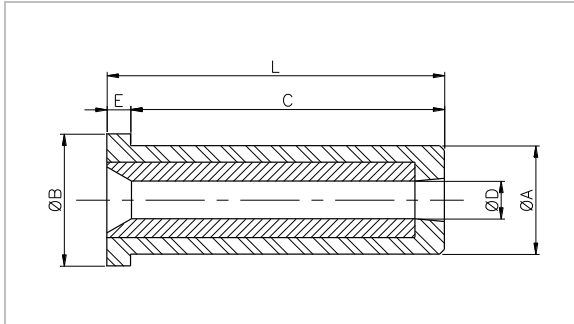
---



## Sandblasting Nozzles and Nibs

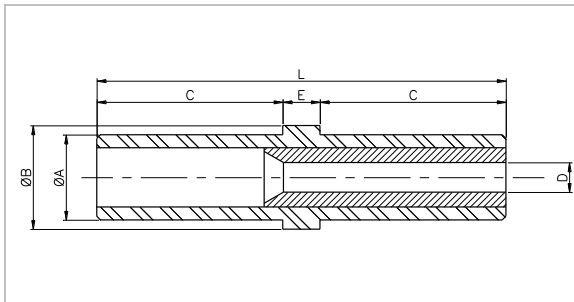
(according to Argensinter Standard)

### Type: A



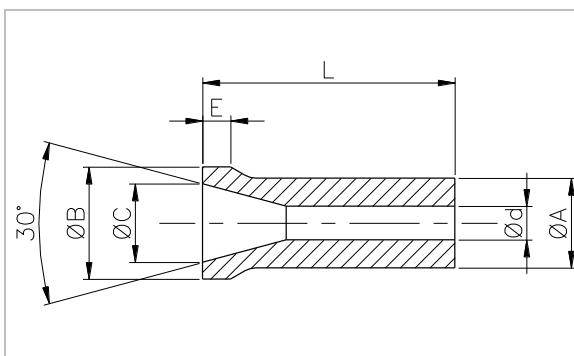
Code	ØD	L	ØA	ØB	C	E
NUC NA3	3	40	24	28	35	5
NUC NA4	4	50	24	28	45	5
NUC NA5	5	55	24	28	50	5
NUC NA6	6	60	24	28	55	5
NUC NA7	7	65	24	28	60	5
NUC NA8	8	75	24	28	70	5

### Type: B



Code	ØD	L	ØA	ØB	C	E
NUC NB3	3	83	15	18	39	5
NUC NB4	4	83	15	18	39	5
NUC NB5	5	100	20	25	45	10
NUC NB6	6	100	20	25	45	10
NUC NB7	7	110	25	30	50	10
NUC NB8	8	110	25	30	50	10

### Type: C

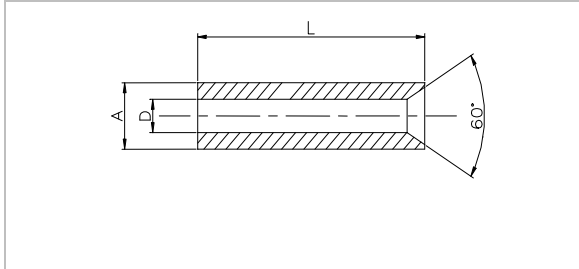


Code	Ød	L	ØA	ØB	ØC	E
NUC NC2	2	40	12	16	10	5
NUC NC3	3	40	13	17	11	5
NUC NC4	4	40	14	18	12	5
NUC NC5	5	45	15	19	13	5
NUC NC6	6	45	16	20	14	5
NUC NC7	7	45	16	21	15	5
NUC NC8	8	50	18	22	16	5
NUC NC9	9	50	18	23	17	5
NUC NC10	10	50	20	24	18	5
NUC NC11	11	50	20	25	19	5
NUC NC12	12	55	22	26	20	6
NUC NC13	13	55	23	27	21	6
NUC NC14	14	55	24	28	22	6
NUC NC15	15	55	25	29	23	6
NUC NC16	16	55	25	30	24	6

## Sandblasting Nozzles and Nibs

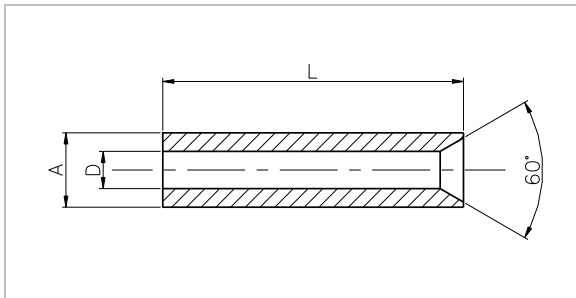
(according to Argensinter Standard)

### Tipo: D



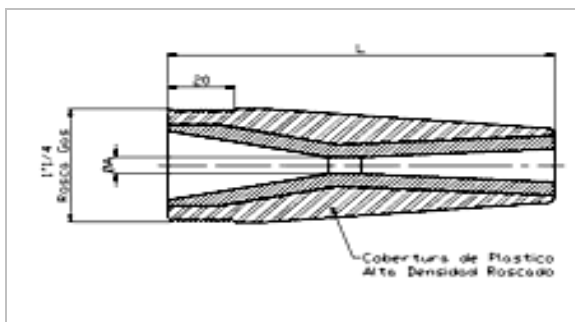
Code	ØA	L	ØD
NUC ND83	8	10	3
NUC ND103	10	10	3
NUC ND62	6.3	18	2.0
NUC ND31	3.2	12	1.2
NUC ND51	5	12	1.2

### Type: N



Code	ØD	L	ØA
NUC NN3	3	30	10
NUC NN3M	3	15	10
NUC NN3MC	3	19	10
NUC NN4	4	40	12
NUC NN5	5	45	13
NUC NN6	6	50	14
NUC NN6C	6	40	14
NUC NN7	7	55	15
NUC NN78C	8	40	15
NUC NN7C	7	40	15
NUC NN7F	7	40	13
NUC NN8	8	65	16
NUC NN8C	8	40	16
NUC NN8D	8	32	18
NUC NN8E	8	34	16
NUC NN8F	8	40	13

### Tipo: P



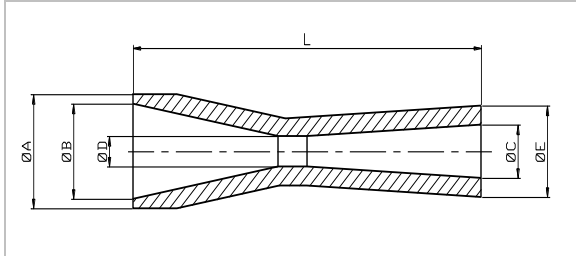
Code	Ød	L
NUC NP5	5	90
NUC NP6	6	90
NUC NP8	8	90
NUC NP9	9	90
NUC NP10	10	90
NUC NP12	12	90
NUC NPL8	8	120
NUC NPL9	9	120
NUC NPL10	10	120
NUC NPL11	11	120
NUC NPL12	12	120

## Sandblasting Nozzles and Nibs

(according to Argensinter Standard)

Page 4 of 5

Type: V (Venturi)



Code	Ød	L	ØA	ØB	ØC	ØE
NUC NV5	5	90	28	25	9	19
NUC NV6	6	90	28	25	10	20
NUC NV8	8	90	28	25	12	22
NUC NV9	9	90	28	25	13	23
NUC NV10	10	90	28	25	14	24
NUC NV12	12	90	28	25	16	26
NUC NVL8	8	120	30	25	14	24
NUC NVL9	9	120	30	25	15	25
NUC NVL10	10	120	30	25	16	26
NUC NVL11	11	120	30	25	17	27
NUC NVL12	12	120	30	25	18	28

**New!**



Save time and get the best service. Visit ***MiArgensinter!*** (<http://mi.argensinter.com.ar>) and enter our online commercial platform. Consult our prices and the stock of these and/or any of our other products.

You will also be able to buy and order the manufacturing of more items without moving from your desk in a fast and safe way.

If you are in Argentina, you will receive your order in 24 hours (depending of your location, the period may be longer).

For further information, please do not hesitate to contact us or visit our web site at [www.argensinter.com](http://www.argensinter.com)



**ARGENSINTER**  
HARD METAL

---

ARGENSINTER

Argensinter S.R.L. – Hard Metal and Special Cutting Tools  
Tacuarí 925 (B1704FJM) Ramos Mejía  
Province of Buenos Aires, Argentina  
Phone: (+54) 11 4658 7637 – Fax: (+54) 11 4656 8028  
email: sales@argensinter.com - Web site: <http://www.argensinter.com>