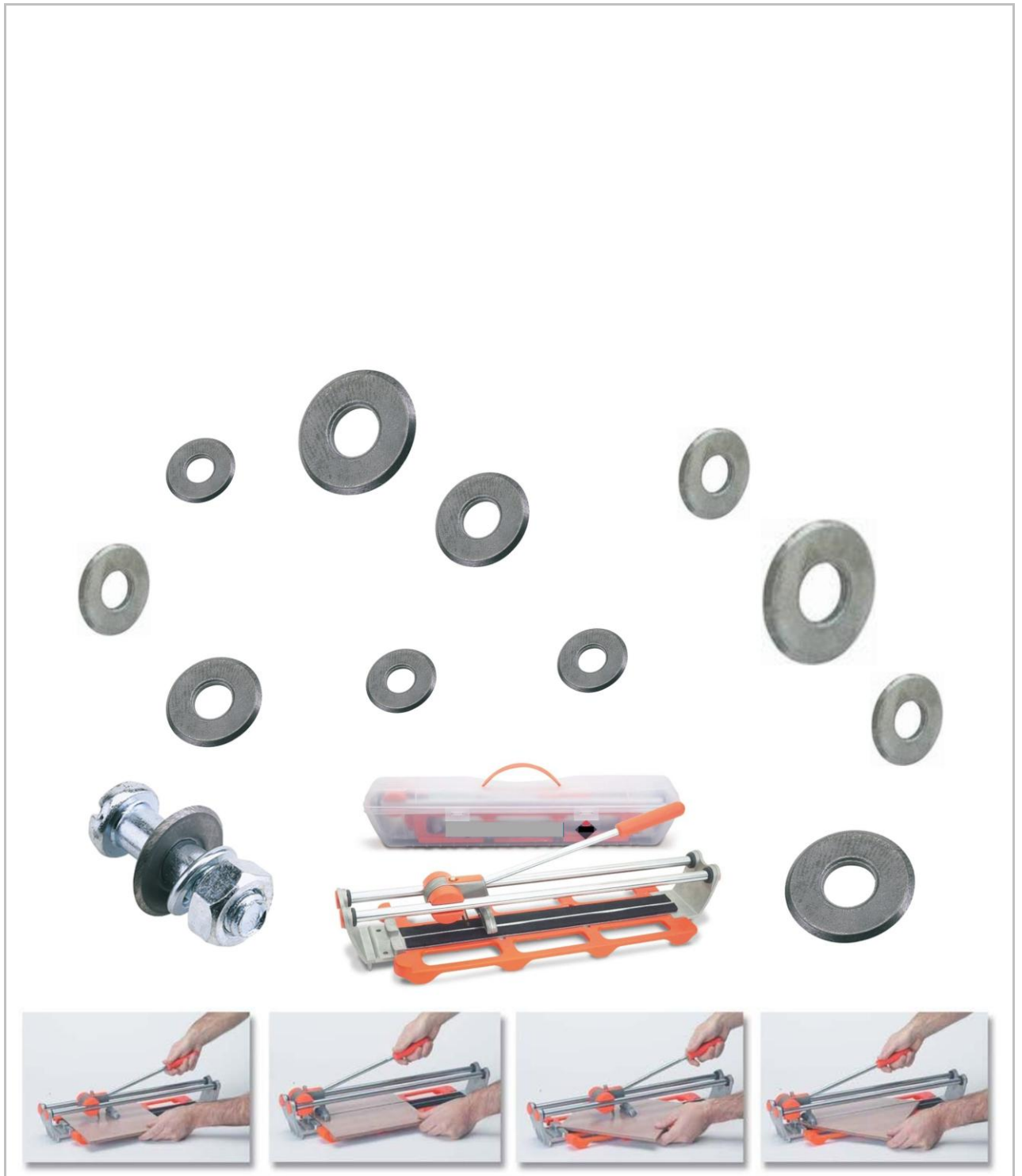


# Carbide Tile Cutter Wheels

Argensinter standard

---

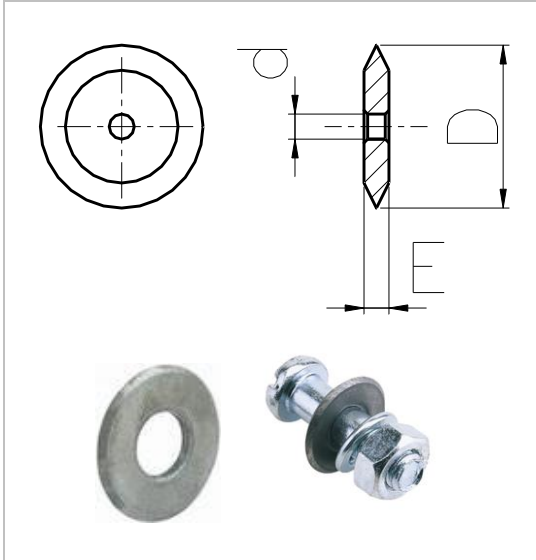




ARGENSINTER

## Carbide Tile Cutter Wheels

(According to Argensinter Standard)



Code	Ø D	E	Ø d
RUE RA8	8	2	2
RUE RA10	10	2	4
RUE RA13	13	2	4
RUE RA15	15	2	4
RUE RA18	18	2	4
RUE RE10	10	1	4
RUE RE15	15	3.7	6
RUE RE18	18	2	6

**New!**



Save time and get the best service. Visit [MiArgensinter!](http://mi.arginsinter.com.ar)

(<http://mi.arginsinter.com.ar>) and enter our online commercial platform. Consult our prices and the stock of these and/or any of our other products.

You will also be able to buy and order the manufacturing of more items without moving from your desk in a fast and safe way.

If you are in Argentina, you will receive your order in 24 hours (depending of your location, the period may be longer).

For further information, please do not hesitate to contact us or visit our web site at [www.arginsinter.com](http://www.arginsinter.com)

ARGENSINTER

Argensinter S.R.L. - Hard Metal and Special Cutting Tools  
Tacuarí 925 (B1704FJM) Ramos Mejía  
Province of Buenos Aires, Argentina  
Phone: (+54) 11 4658 7637 - Fax: (+54) 11 4656 8028  
email: sales@argensinter.com - Web site: <http://www.argensinter.com>